

Buitendeuren – penschoten

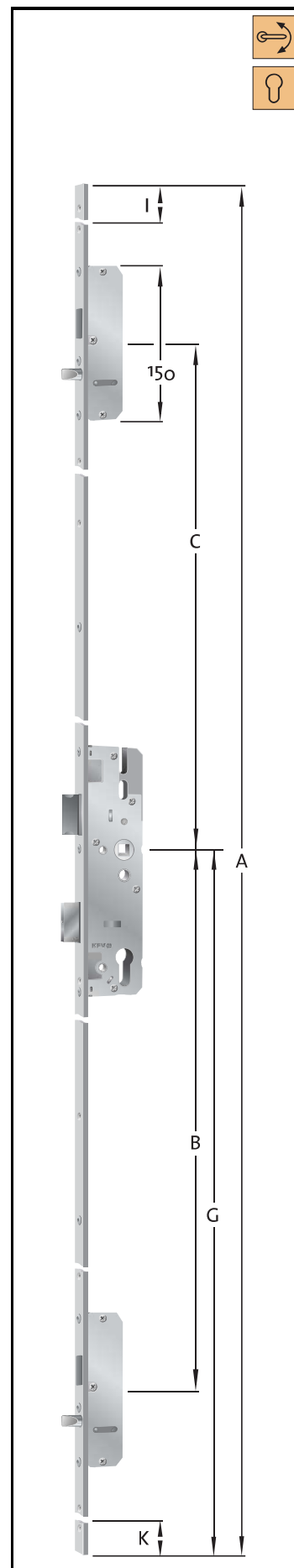
AS 4350

Meerpuntssluiting met hoofdslotkast en 2 penschoten

Art. nr.	voorplaat	maat
AS 4350 F 16		16 x 3 mm
AS 4350 F 20		20 x 3 mm
AS 4350 F 24		24 x 3 mm
AS 4350 P 6/24		6 x 24 x 6 x 2 mm
AS 4350 P 8/24		8 x 24 x 8 x 2 mm
AS 4350 P 10/24		10 x 24 x 10 x 2 mm
AS 4350 P 6/22		6 x 22 x 6 x 2 mm
AS 4350 P 8/22		8 x 22 x 8 x 2 mm
AS 4350 P10/30		10 x 30 x 10 x 2 mm

PC maat	doornmaat in mm														
	92	25	-	30	35	40	45	50	55	60	65	-	-	-	-
		15	-	15	15	15	15	15	15	15	15	-	-	-	-
		8 mm													

varianten in mm							
		A	B	C	G	I	K
92 mm	B001	2170	760	730	1020	290	130
	B002	2170	760	730	1050	160	260
	B003	2400	760	980	1020	270	130
	B004	2400	760	980	1050	240	160
	B005	2170	760	480	1020	540	130
	B292	2170	635	605	1020	415	255
	B296	2170	760	355	1020	665	130
	B298	2170	760	605	1020	415	130
	B603	2400	760	1105	1020	145	130
	B635	2400	760	480	1050	740	160
	B639	2400	760	1105	1050	115	160



1

2

3

4

5

6

7

8